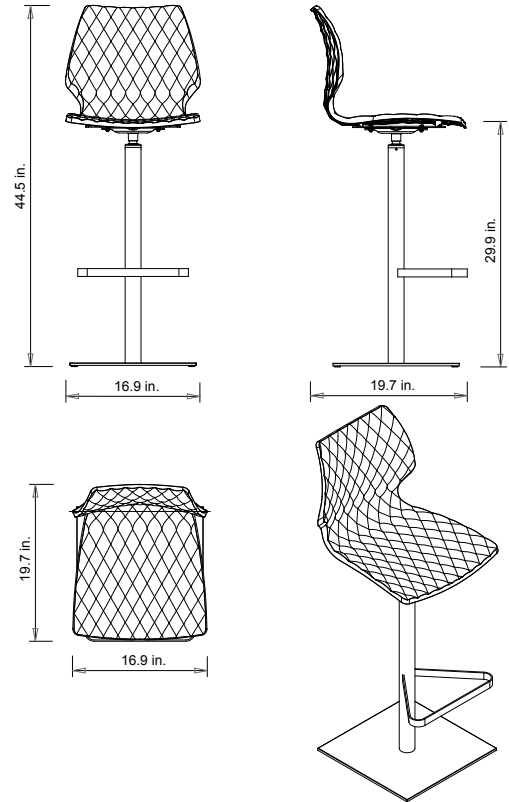


380-P



BAR STOOL WITH CENTRAL STEEL BASE AND KICK BACK DEVICE. SEAT SHELL IN POLYPROPYLENE. FRONT OF SEAT HAS PADDED-EFFECT TEXTURE, WHILE THE BACK APPEARS IN A GLOSSY FINISH

MEETS BIFMA X 5.1 STRENGTH TEST

WEIGHT
 37.5 lb

PACKAGING
 0.27 m³

PIECES PER BOX
 1

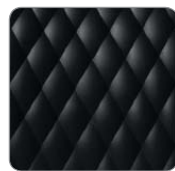
SEATING FINISHES - POLYPROPYLENE



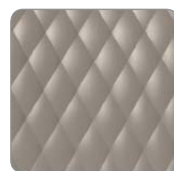
MOCHA



WHITE



BLACK



TURTLE DOVE



ANTHRACITE



BOSS GREEN

THE COLORS BELOW REQUIRE A MINIMUM ORDER QUANTITY AND COME AT AN UPCHARGE:



AZURE



VIOLET



MARSALA



RED



ORANGE



YELLOW

FRAME FINISHES - STEEL



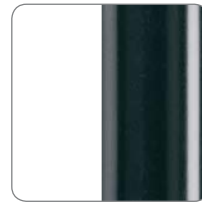
VR WHITE



VR GRAY RAL 7042



VR ORANGE RAL 2003



VR ANTHRACITE RAL 2016



VR ALUMINUM GRAY



VR PEWTER



VR WHITE MARÉ



VR BLACK RAL 9005



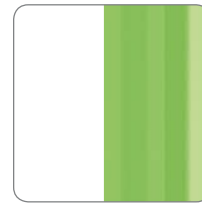
VR IVORY RAL 9001



VR RED RAL 3000



VR BROWN RAL 8017



VR GREEN 367 C



VR TURTLE DOVE



VR RED MARÉ RAL 3003



VR ENGLISH GREEN RAL 6005



CR CHROME



CRS SATIN CHROME