

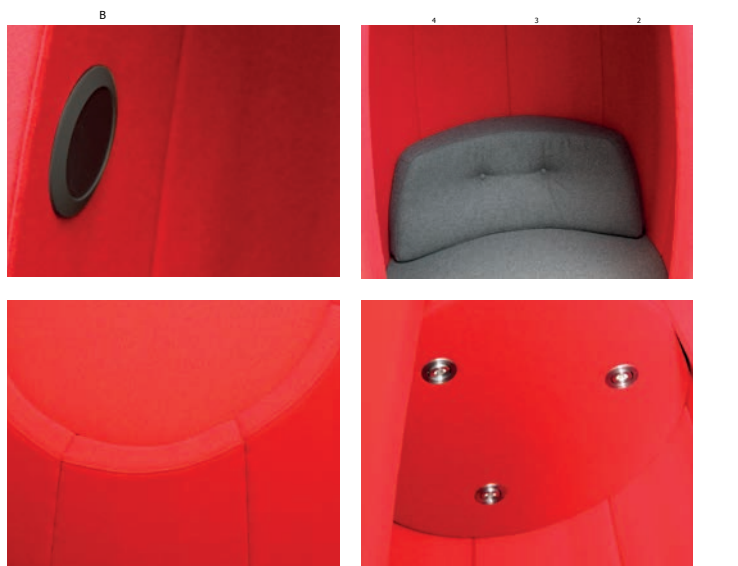
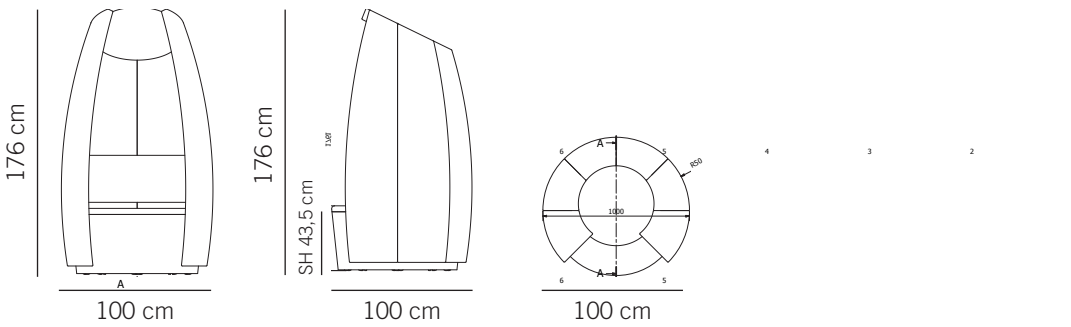
8.

RFRRLVPRELOHLWKWKHVHRFDVWHUVKLFKFRPHWRDKDOW
 KH EHLORDH (TLSSHLWKSFVRDMVWDEOH:/(OLKVV
 SFVR:VSHDNHUV DWWWHUWKFKDUHURU 6FKDUHU
 OHWRRWKVWHPDVHOOVFRWUROSDHO

Frame: Wooden slats and 5 mm polyether. Seat unit in plywood and nozag springs.

Upholstery: Foam: density 23 kg/m3, bowed back cushion.

Covers: COM (customer's own material).



6 Years Guarantee